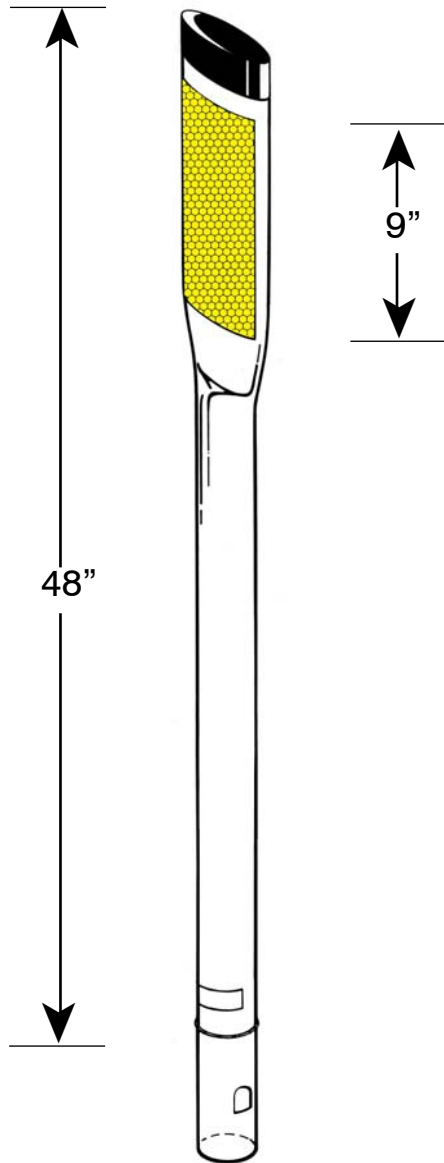


# FLEXIBLE DELINEATOR

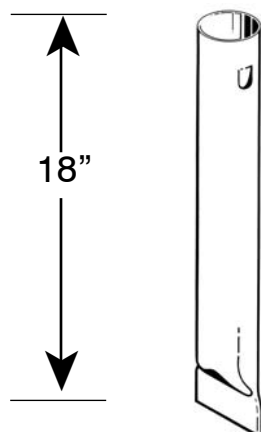


## SH248GP3 -- WS 09

**48" WHITE POST WITH ONE  
3" x 9" HIGH INTENSITY  
SILVER REFLECTIVE STRIP,  
WITH 18" SOIL ANCHOR.**

### OPTIONS:

- ANCHOR LENGTH/STYLE
- REFLECTIVE LENGTH
- REFLECTIVE COLOR
- POST HEIGHT
- POST COLOR



35 EAST WACKER DRIVE, SUITE 1100  
CHICAGO, IL 60601  
PH: (800) 537-8958 FX: (800) 770-6755