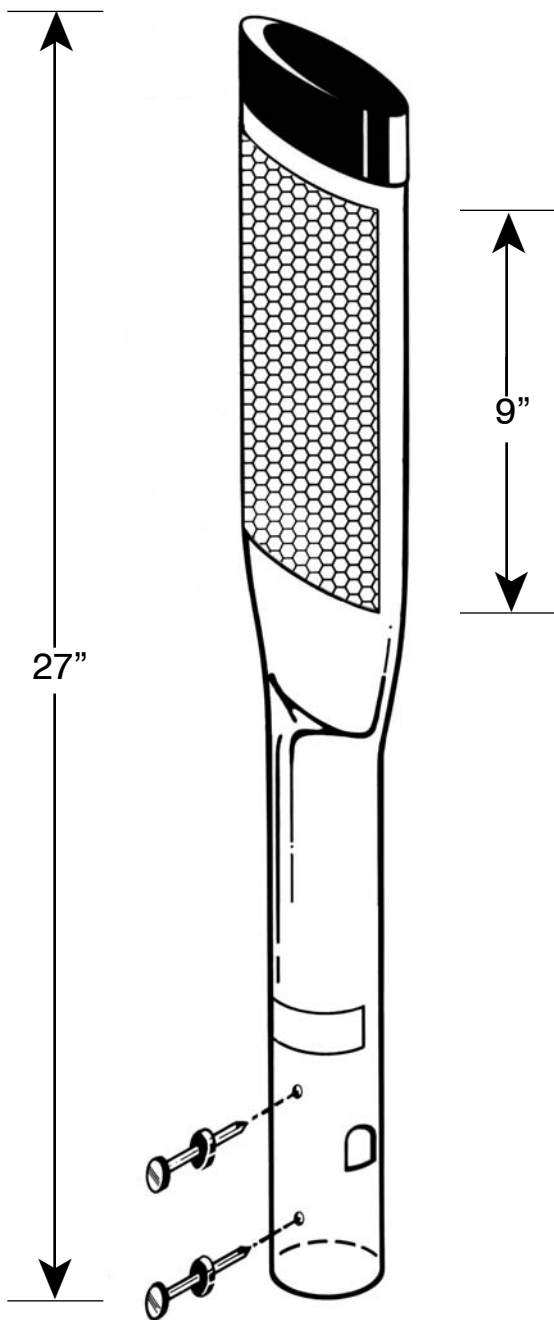


FLEXIBLE GUARDRAIL DELINEATOR



SH227GRD -- WS

27" WHITE POST WITH ONE 3" X 9" HIGH INTENSITY SILVER REFLECTIVE STRIP, WITH TWO GALVANIZED NAILS AND NEOPRENE WASHERS.

SH227GRS -- WS

AS ABOVE, EXCEPT WITH TWO SELF-TAPPING HILTI SCREWS AND NEOPRENE WASHERS.

OPTIONS:

- REFLECTIVE LENGTH
- REFLECTIVE COLORS
- POST LENGTH
- POST COLOR



35 EAST WACKER DRIVE, SUITE 1100
CHICAGO, IL 60601
PH: (800) 537-8958 FX: (800) 770-6755